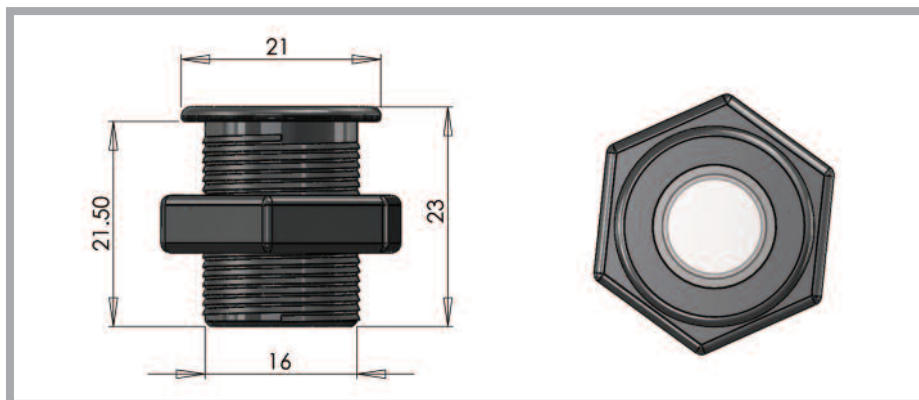


UFO P17T Submersible Paver Fitting



A small, round wet area paver manufactured from stainless steel with a clear glass focusing lens.

This fitting has a threaded body and is supplied with a backnut to allow fixing through a thin substrate.

Description	
Glass	Clear domed lens
Beam angle	60°
Material	Stainless steel
Colours available	Natural
Flange size	21 mm
Weight	37.5 g
Mounting hole size	17 mm
Ferrule size	M10 or 8 mm smooth
Min. fibre size	2 mm
Max. fibre size	8 mm

The P17T fitting is popular in spa pools and baths where the nut can be used to fix it through the typically thin surface of either.

Whilst this fitting is can be used in constant immersion conditions, it is not suitable for installation where it will be under significant pressure.